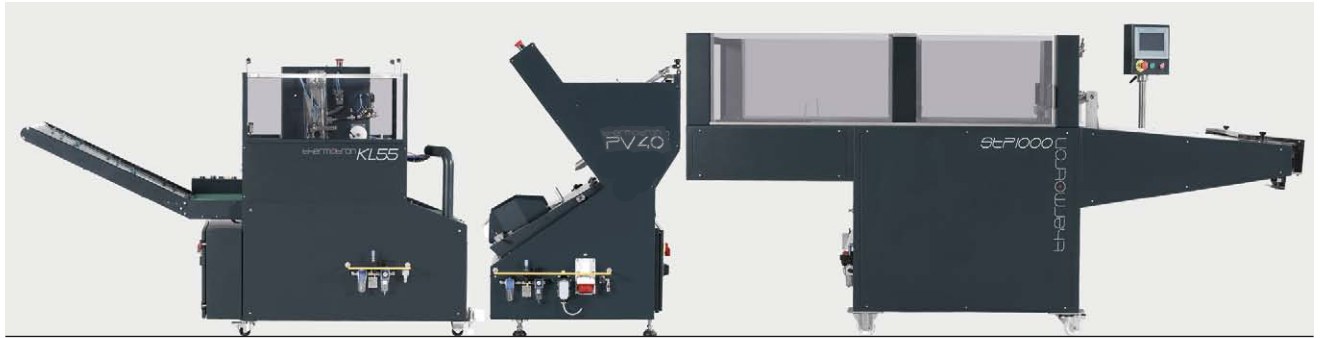


THE MACHINES ARE OFFERED AND FUNCTION AS INDEPENDENT UNITS, AS FULL STATION, OR EVEN IN COMBINATION.
THE STRUCTURE OF A FULL STATION OF MACHINES (STP1000-PV38-KL55) IN 3 INDEPENDENT UNITS
AIMS AT A MORE FAVORABLE PURCHASE OPTION ACCORDING TO THE CUSTOMER'S NEEDS.

THE FULL STATION CONSISTS OF:

- STP1000** AUTOMATIC FOLDING MACHINE
- PV40** AUTOMATIC BAGGING MACHINE
- KL55** AUTOMATIC SEALING MACHINE



OTHER COMBINATIONS



thermotron
TEXTILE MACHINERY

D. Skantzouris & Co S.A.
174 K. KARAMANLIS Ave. GR-54248 THESSALONIKI-GREECE
t. +30 2310 311 777 f. +30 2310 322 784
e-mail: info@thermotron.gr www.thermotron.gr

thermotron **NT50**

AUTOMATIC STACKING MACHINE



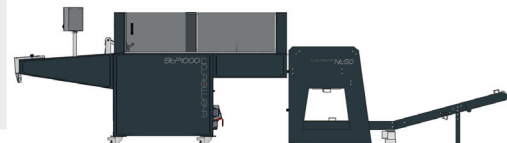
The **NT50** is an automatic stacking machine, which can stack the already folded garments as they come from the **STP1000** automatic folding machine. The maximum height of the stack can be **35cm**.



DIMENSIONS L-W-H: **254x68x115cm**
NET WEIGHT: **125kg**
POWER SUPPLY: **240V 60Hz**

POWER CAPACITY: **0.10Kw**
AIR PRESSURE: **6bar**
AVG. AIR CONSUMPTION: **34L/min**

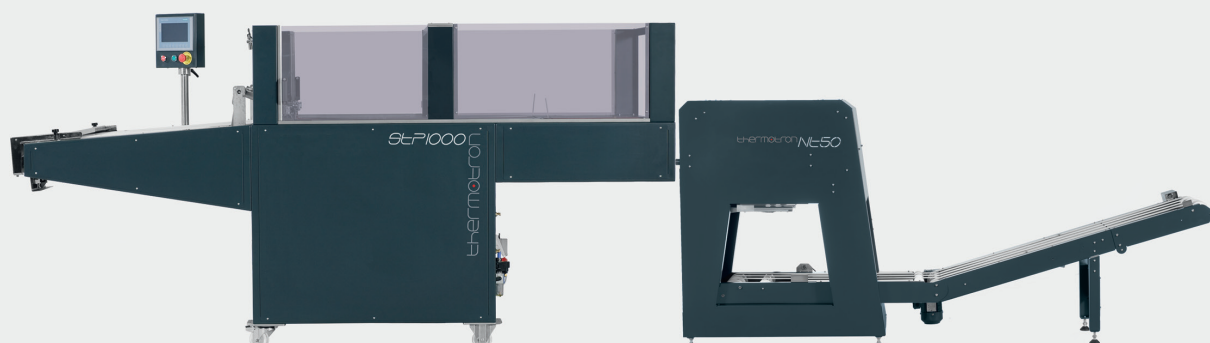
*** NT50 is combined with STP1000**



thermotron

NE50

AUTOMATIC STACKING MACHINE

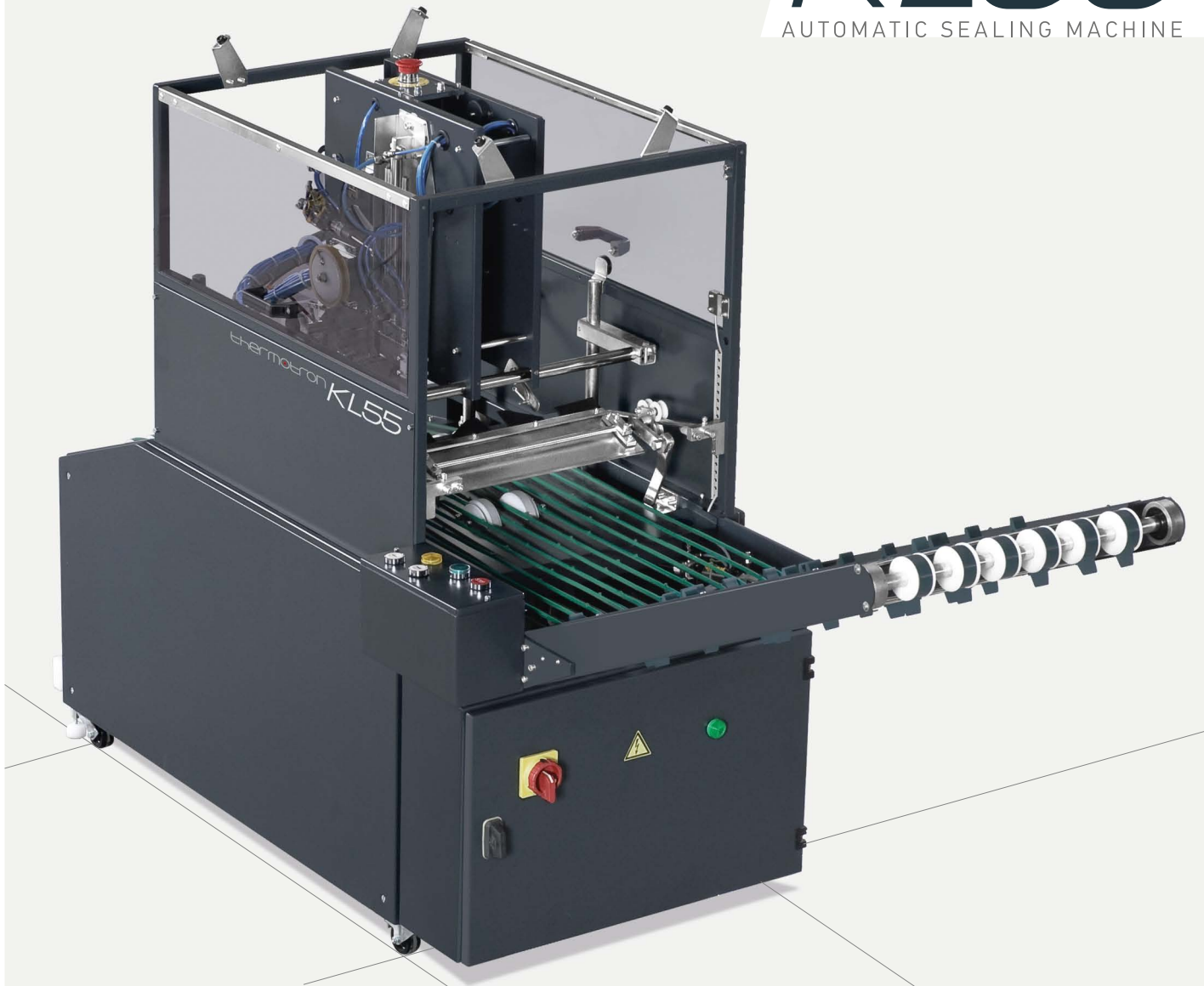


thermotron
TEXTILE MACHINERY

Thermotron S.A.
174 K. KARAMANLIS Ave.
GR-54248 THESSALONIKI-GREECE
t. +30 2310 311 777 | f. +30 2310 322 784
e-mail: info@thermotron.gr | www.thermotron.gr

thermotron **KL55**

AUTOMATIC SEALING MACHINE



KL55* is an automatic sealing machine that closes the bags that contain clothes coming folded and packaged from the automatic folding machine **STP1000** and the bagging machine **PV38** with adhesive tape.

The machine gives the operator the option to close the bag either with one adhesive tape in its center or with two tapes at its two ends.

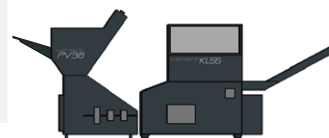
KL55 is placed behind PV38, receives the packaged clothes and seals the bags with adhesive tape.



DIMENSIONS L-W-H: **208x79x135cm**
NET WEIGHT: **175kg**
POWER SUPPLY: **400V 50-60Hz**

POWER CAPACITY: **0.18Kw**
AIR PRESSURE: **6bar**
AVG. AIR CONSUMPTION: **30NL/min**

* **KL55** is combined with **PV38**



thermotron PV40

AUTOMATIC BAGGING MACHINE



NEW
improved model

